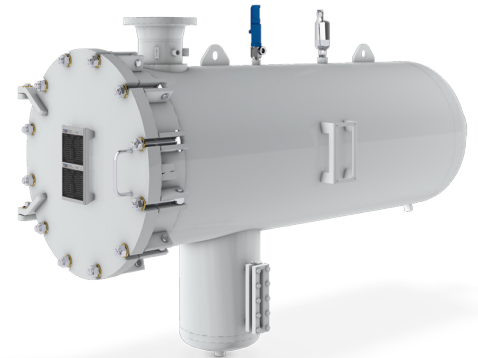


Qualified to specification EI 1581 6th Edition, Category M, Type S

The filter/water separator FWE-T is designed to be compliant with procedural guidelines, applicable legal regulations and requirements of the pressure vessel regulation AD2000. Additional pressure vessel standards can be met with these assemblies as well. The filter vessels incorporate flat sealed coalescer elements and reusable separator elements.



Application Area

- Horizontal filter vessels for mobile installation

Technical Data

- | | |
|----------------------------|-----------------------------------|
| • Design and construction: | EI 1596 3rd Edition |
| • Design pressure: | Designed to pressure requirements |
| • Flow rate: | Up to 5000 lpm (1320 USgpm) |

Standard Design

- | | |
|---------------|---|
| • Material: | Carbon steel (other version on request) |
| • Interior: | Epoxy coating according to EI 1541 |
| • Exterior: | Prime coated |
| • Cover seal: | NBR (Buna-N) |

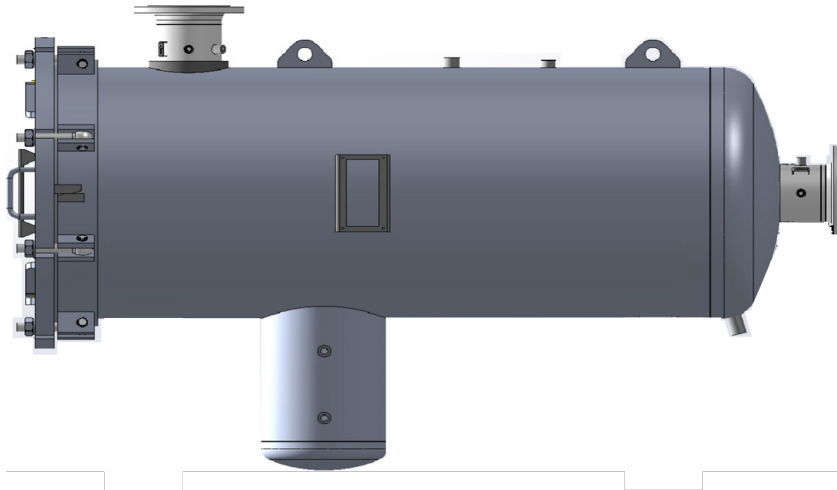
Recommended Accessories

- Differential pressure gauge
- Manual drain valve
- Automatic air eliminator
- Pressure relief valve
- Sump heater
- Electronic sensors

Order Reference

Vessel		Coalescer Elements		Separator Elements		Flow Rates	
Model No.	Model	Quantity	Model	Quantity	l/min	USgpm	
FWE-T-3	Y.1-842-5	3	On request	1	750	198	
FWE-T-4	Y.1-842-5	4		1	1000	264	
FWE-T-5	Y.1-842-5	5		1	1250	330	
FWE-T-7	Y.1-842-5	7		1	1750	462	
FWE-T-9	Y.1-842-5	9		1	2250	594	
FWE-T-11	Y.1-842-5	11		1	2750	726	
FWE-T-13	Y.1-842-5	13		1	3250	858	
FWE-T-17	Y.1-842-5	17		1	4250	1122	
FWE-T-20	Y.1-842-5	20		1	5000	1320	

Dimensions



Connections	
DIN	ANSI
DN 80	3"
DN 100	4"
DN100	4"
DN 100	5"
DN 150	5"
DN 150	6"
DN 150	6"
DN 200	8"
DN 200	8"