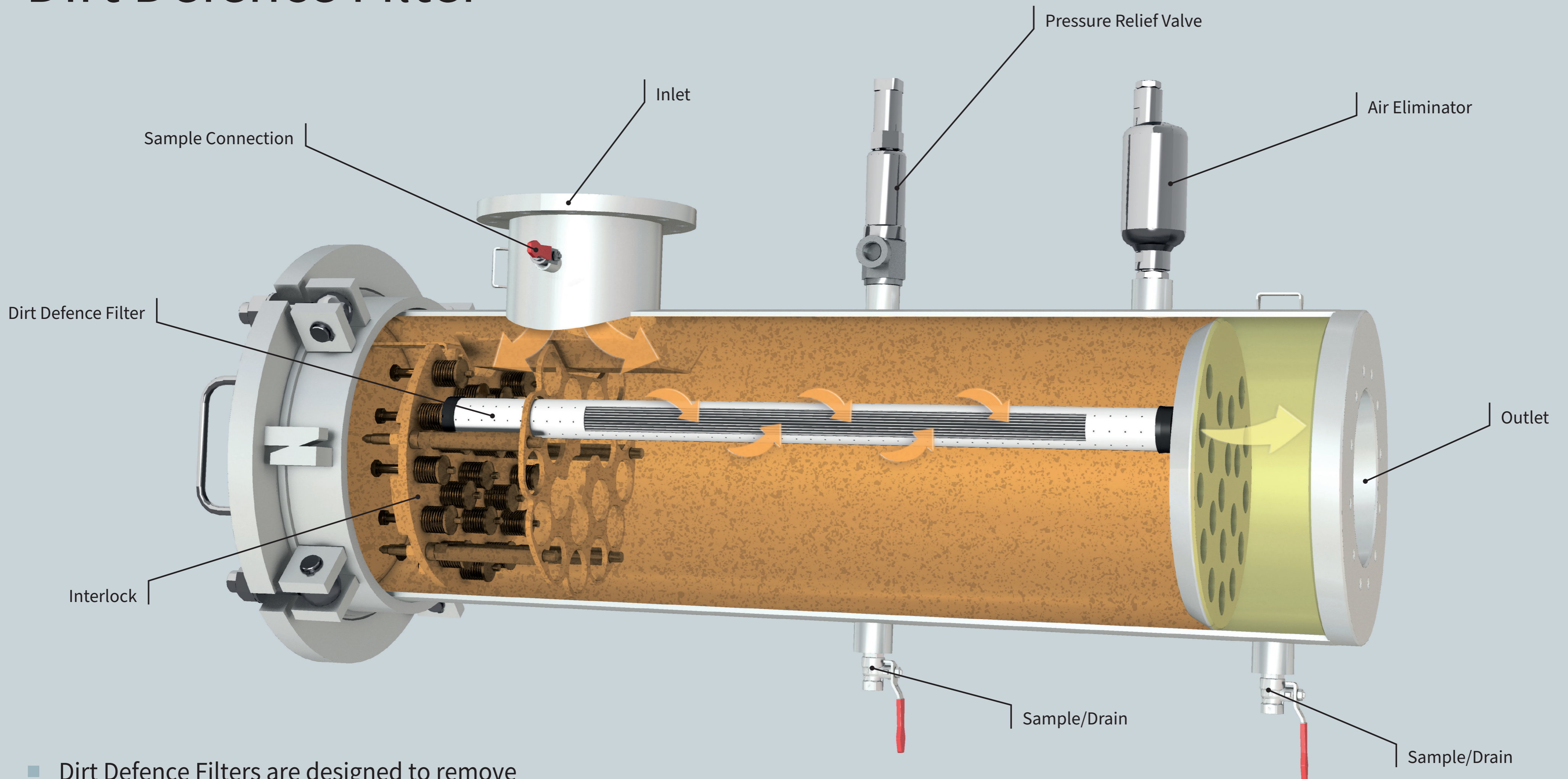


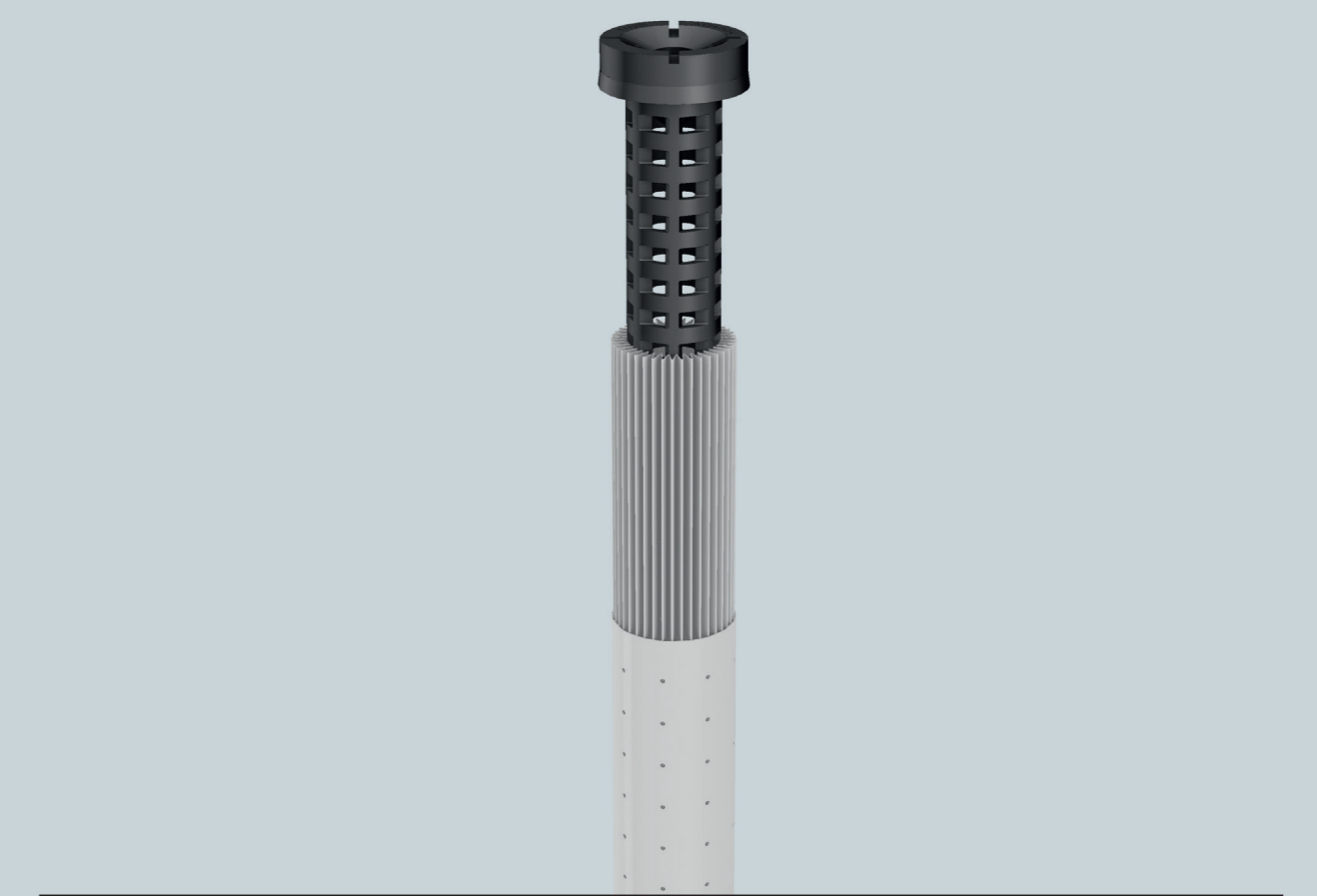
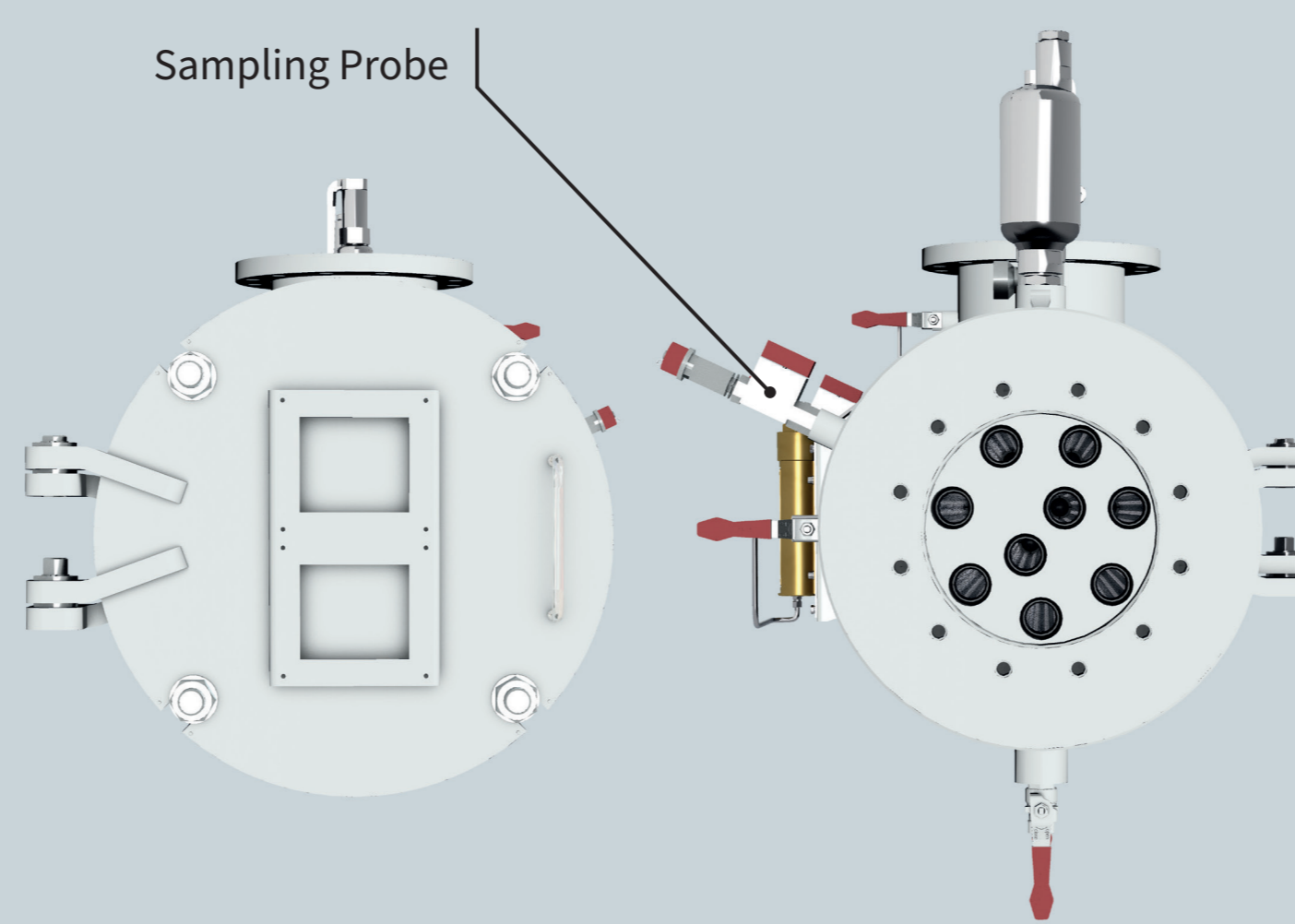
Maximising Operational Efficiency and Safety



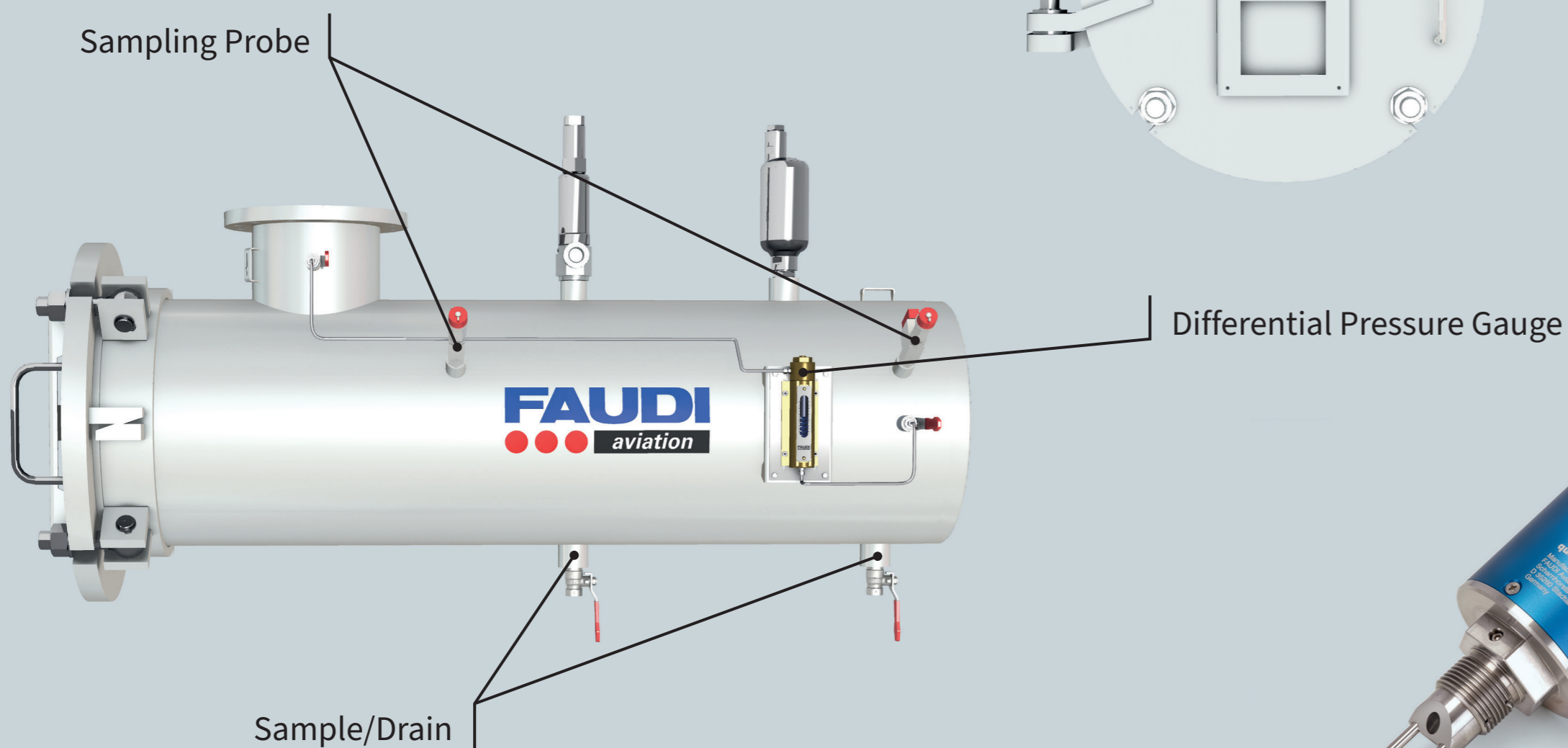
DDFV Series Dirt Defence Filter



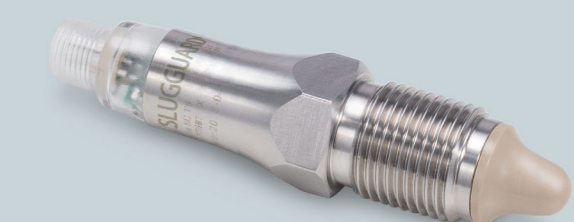
■ Dirt Defence Filters are designed to remove fine solids such as rust, sand and other particulates efficiently and continuously from aviation fuels. Dirt Defence Filtration Technology in combination with AFGUARD® Electronic Water Sensor has become a global norm (JIG 1 and ATA 103).



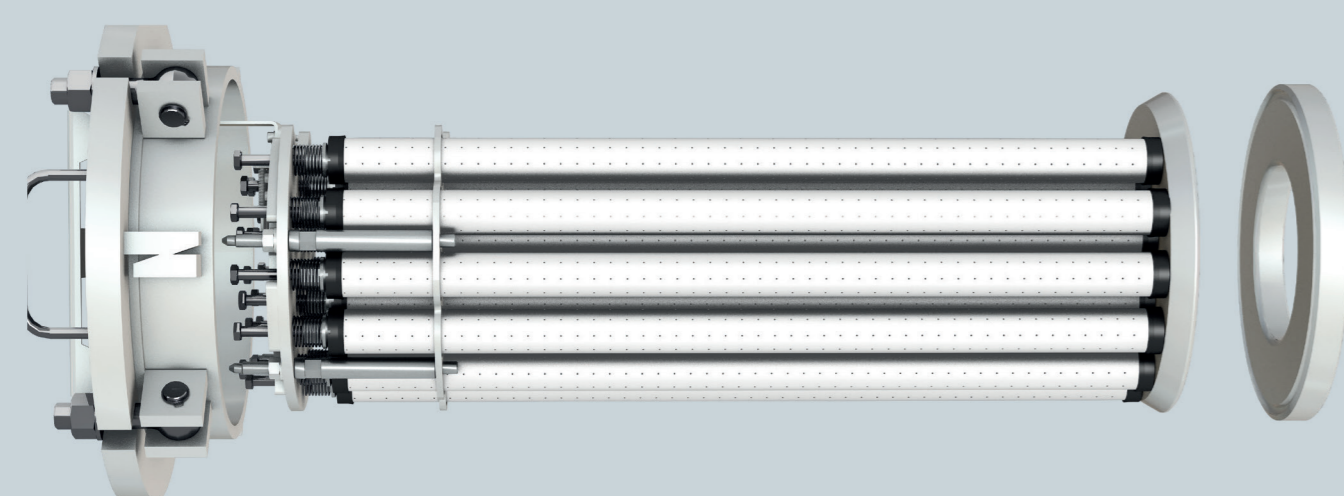
FAUDI Aviation Dirt Defence Filter



EI 1598 AFGUARD® Electronic Water Sensor (EWS) detects water in aviation fuel and prevents water from reaching the aircraft by triggering a deadman shut down when it detects water concentrations beyond the configured threshold. It is recommended for use downstream of all filtration technologies to verify filter performance.



EI 1592 SLUGGUARD® electronic sensor to distinguish between aviation fuel and water. SLUGGUARD® monitors water in filter low points.



Visit us online:



YouTube

www.faudi-aviation.com