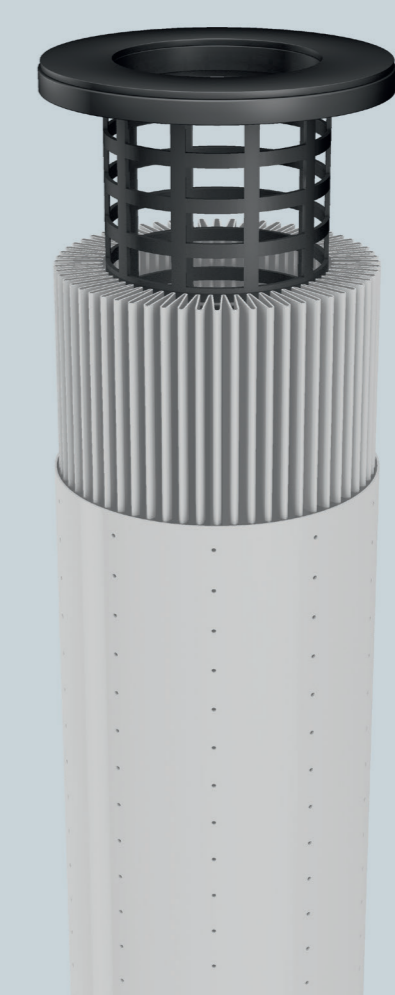
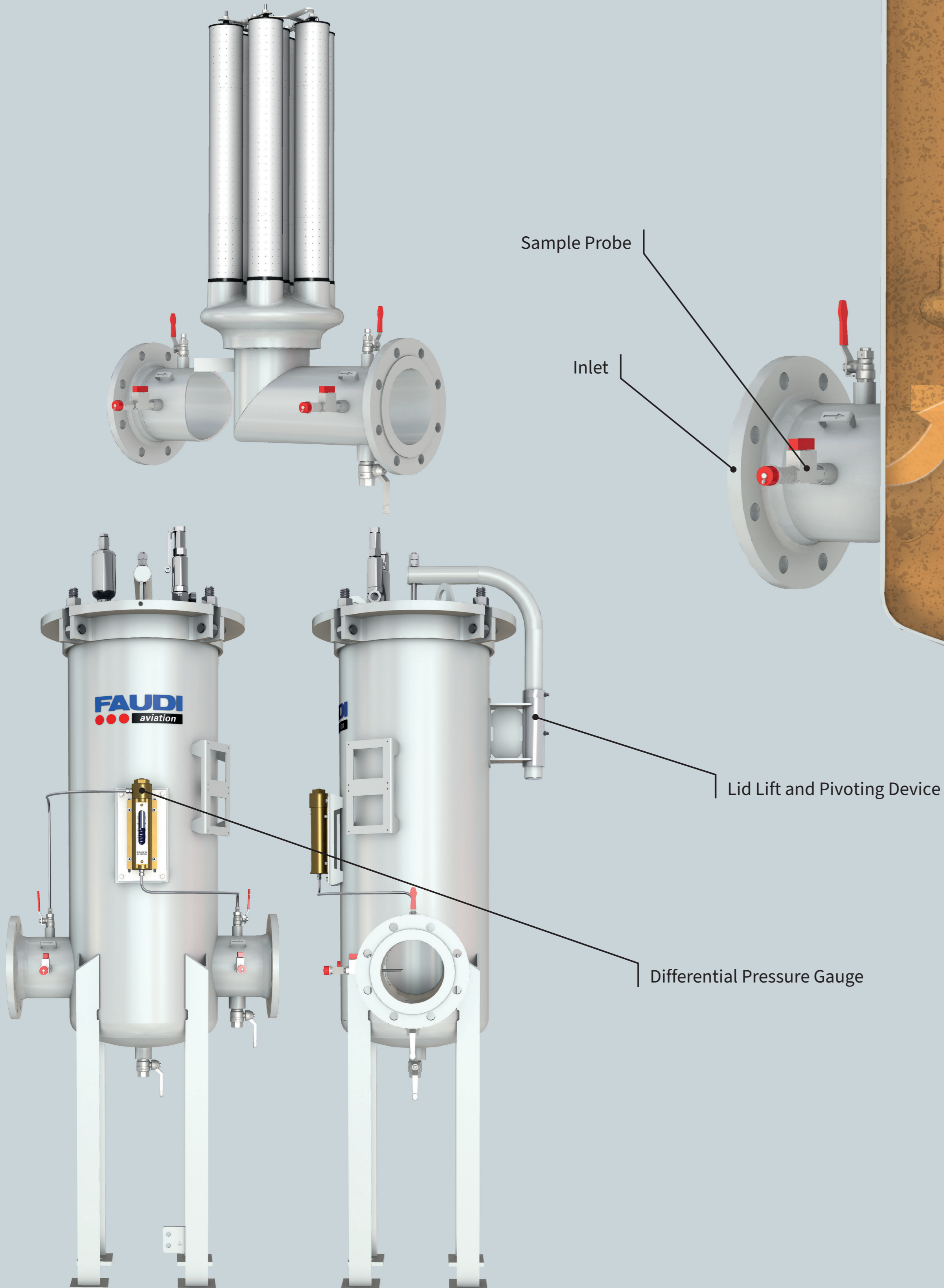
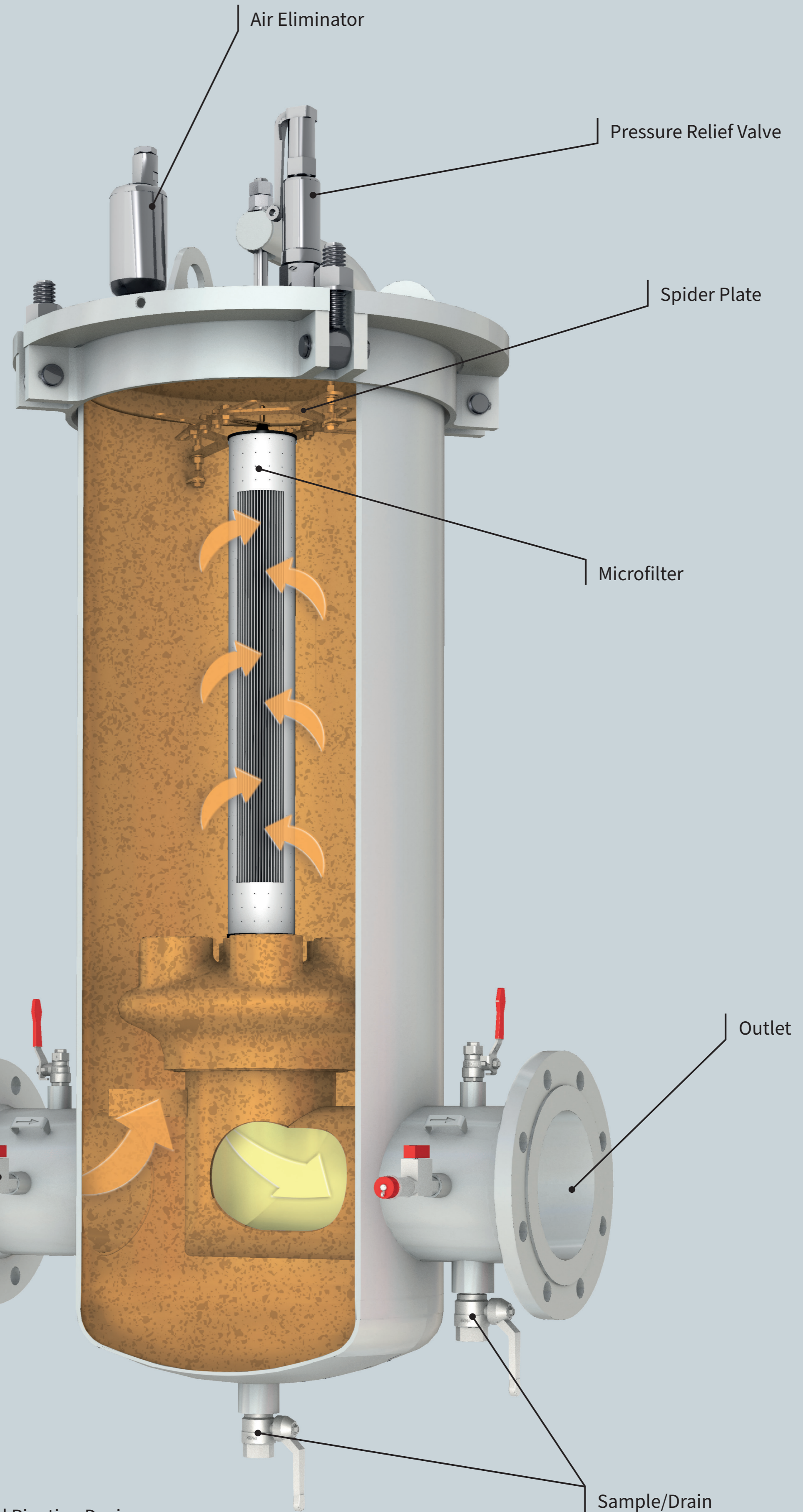


Maximising Operational Efficiency and Safety



# MF Series Microfilter

Microfilters are used for the efficient and continuous removal of solids such as rust, sand and other particulates from aviation fuels. FAUDI Aviation microfilters are used in refineries, terminals and airport depots, primarily as prefilters to protect and lengthen the service life of downstream coalescer elements in filter/water separators. FAUDI vessels are equipped with lid lifting and pivoting device for easy, reliable installation of microfilter elements.



FAUDI Aviation Microfilter

Visit us online:



YouTube

[www.faudi-aviation.com](http://www.faudi-aviation.com)